

THE PROPERTY OF THE DRAWING IS ESTABLISHED BY LAW
IT IS FORBIDDEN TO PRODUCE OR SHOW IT TO THIRD PART
WITHOUT A WRITTEN AGREEMENT.

MODIFICATIONS

7	8	9
10	11	12

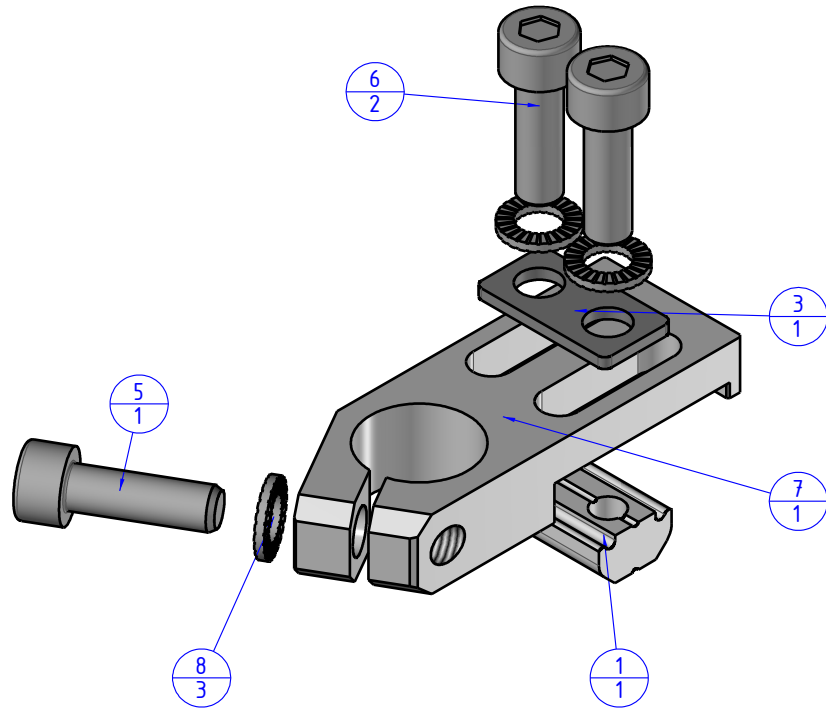
VARIED DIMENSIONS AS OF DATE:

MODIFICATIONS

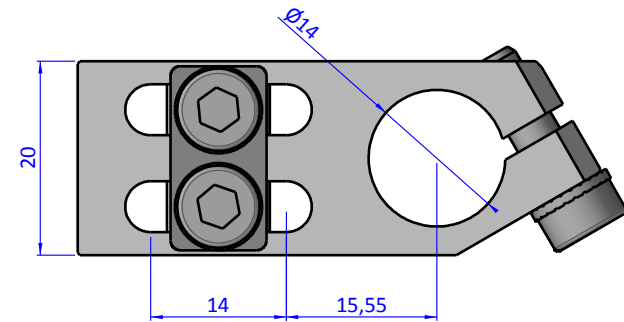
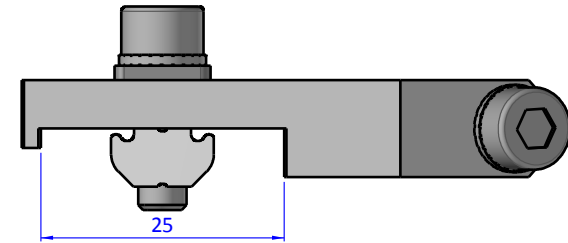
1	2	3
4	5	6

VARIED DIMENSIONS AS OF DATE:

Format A3
UNI 936-76



Object Number	Name	QTY
8	R.5.SCH	3
1	CA.GWP.5.10	1
3	R.05.10	1
5	V-tcei M 5 x 16	1
6	V-tcei M 5 x 14	2
7	WST.1414	1



		DESIGNED FROM	
		FPSERVICES	
GENERAL TOLERANCE		DATE	WEIGHT
UNI - ISO 2768		06/04/2017	0,028kg
CLASSE I		CODE	
		CA.WST.1414.X	